

## IT FIT 18/220-240/350 CS L (NEW)

ICUTRONIC IT FIT CS L (SELV) | Linear / Area Constant Current – Non dimmable



### Product family features

- Output current up to 1600 mA
- Output power up to 75 W
- Low THD <15% @ full load
- Input voltage: 220 – 240 VAC
- Ambient temp range  $t_a$ : -25 to +50 °C
- Wide output voltage range
- Low LF-ripple < 5%
- Very high efficiency up to 87%
- Fixed output (no dimming)
- 5 years guarantee\*

### Product family benefits

- Flexible with 1 driver offers 4 output currents
- High quality light with very low ripple
- Very high efficiency up to 87%
- Enable slim fixture design with flat 21 mm height metal housing
- Long lasting and high reliability
- SELV driver

## Areas of application

- Linear and area lighting
- Office, industrial and shop lighting

## Technical data

### Electrical data

Nominal input voltage	220...240 V
Nominal output current	200 mA / 250 mA / 300 mA / 350 mA <sup>1)</sup>
Nominal output power	4.6...18.9 W
Nominal output voltage	23...54 V
Maximum output power	18.9 W
Mains frequency	50/60 Hz
Input voltage AC	198...264 V
Input voltage DC	not relevant
Device power loss	3.15 W <sup>2)</sup>
Efficiency in full-load	84 % <sup>3)</sup>
Inrush current	11.6 A <sup>4)</sup>
Max. ECG no. on circuit breaker 10 A (B)	45
Max. ECG no. on circuit breaker 16 A (B)	73
Output current tolerance	±7.5 %
Output PSTLM	≤1
Output ripple current (100 Hz)	< 5 %
Output SVM	≤0.4
Power factor λ	0.77C...0.98
Surge capability (L-N)	1 kV
Surge capability (L/N-Ground)	2 kV
Total harmonic distortion	< 15 %
U-OUT (working voltage)	< 60 V
Current set	DipSwitch

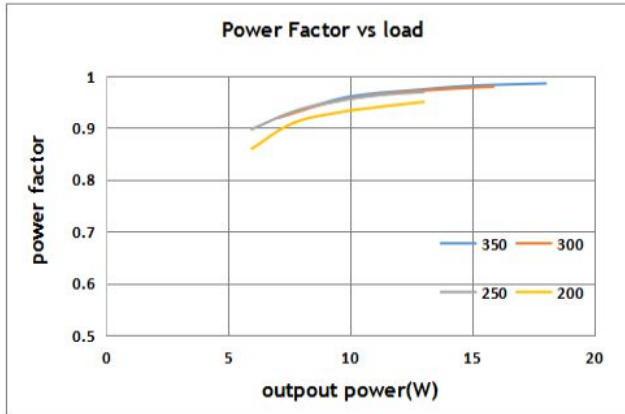
1) ±5%

2) At 230 V, Input power 22 W max.

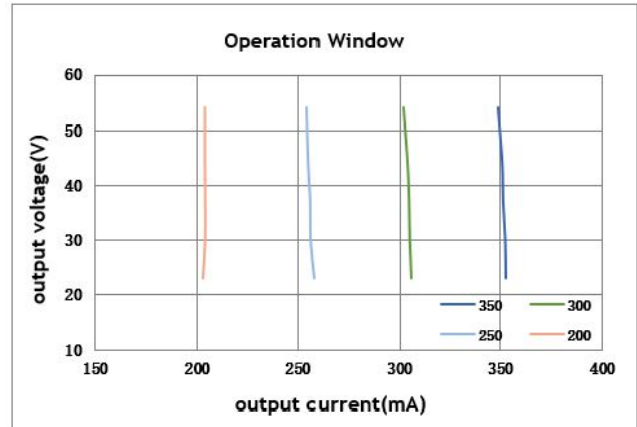
3) at 230 V, 50 Hz

4)  $t_{width} = 220 \mu s$  typical (measured at 50 %  $I_{peak}$ )

Typical Power Factor v Load

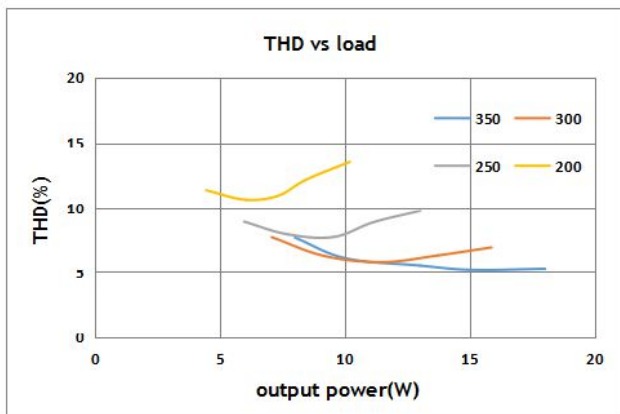


Operating Window



IT FIT 18 CS L

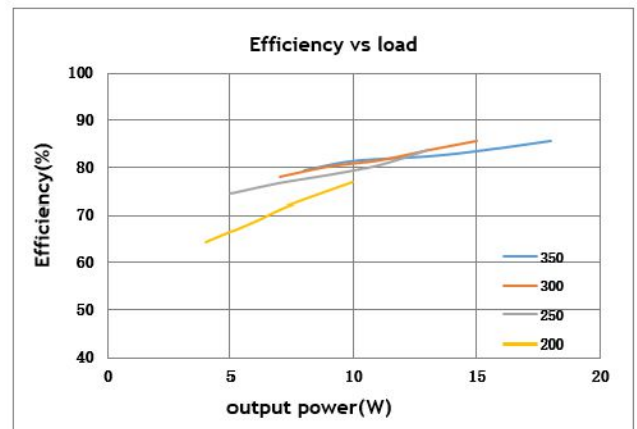
Typical THD v Load



IT FIT 18 CS L

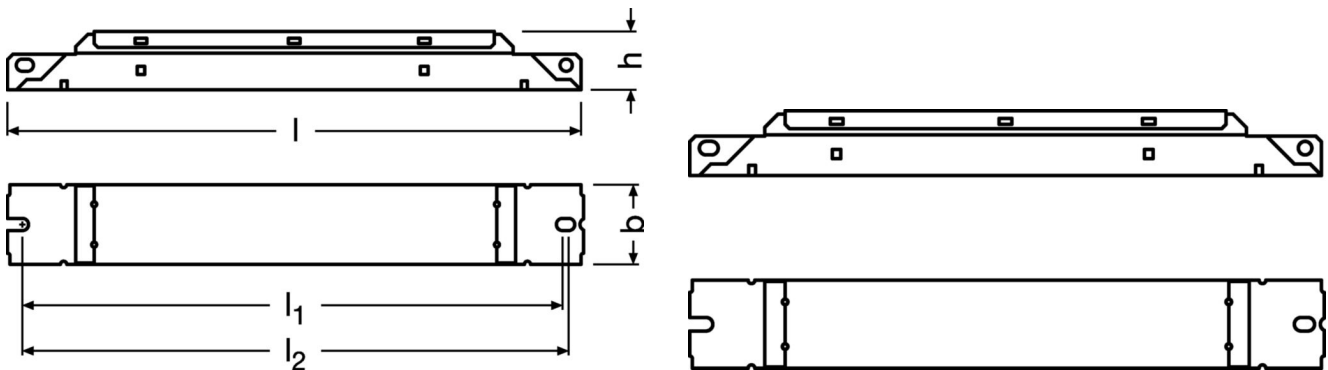
IT FIT 18 CS L

Typical Efficiency v Load 230 V 50 Hz



IT FIT 18 CS L

## Dimensions & weight



<b>Length</b>	210.0 mm
<b>Height</b>	21.0 mm
<b>Width</b>	30.0 mm
<b>Product weight</b>	110.00 g
<b>Cable cross-section, input side</b>	0.5...1.5 mm <sup>2</sup> / 0.75...1.5 mm <sup>2</sup> <sup>1)</sup>
<b>Cable cross-section, output side</b>	0.5...1.5 mm <sup>2</sup> / 0.75...1.5 mm <sup>2</sup> <sup>1)</sup>
<b>Wire preparation length, input side</b>	7...8 mm
<b>Wire preparation length, output side</b>	7...8 mm
<b>Mounting hole spacing, length</b>	200.0 mm

1) Solid/ Flexible Leads

## Colors & materials

<b>Casing material</b>	Metal
------------------------	-------

## Temperatures & operating conditions

<b>Ambient temperature range</b>	-25...+50 °C
<b>Max.housing temperature in case of fault</b>	110 °C
<b>Maximum temperature at tc test point</b>	75 °C
<b>Permitted rel. humidity during operation</b>	5...85 % <sup>1)</sup>
<b>Temperature range at storage</b>	-25...80 °C

1) Maximum 56 days/year at 85 %

## Lifespan

<b>ECG lifetime</b>	50000 h / 100000 h <sup>1)</sup>
---------------------	----------------------------------

1) At T<sub>c</sub> = 75°C / 10% failure rate / At T<sub>c</sub> = 65°C / 10% failure rate

## Additional product data

<b>Encapsulated</b>	No
<b>Predecessor EAN</b>	4052899617421

## Capabilities

<b>Dimmable</b>	No
<b>Max. cable length to lamp/LED module</b>	2.0 m <sup>1)</sup>
<b>Overload protection</b>	Automatic reversible
<b>Overheating protection</b>	Automatic reversible
<b>Suitable for fixtures with prot. class</b>	I / II
<b>Type of connection, input side</b>	Push terminal
<b>Type of connection, output side</b>	Push terminal
<b>Constant lumen function</b>	No
<b>Intended for no-load operation</b>	No
<b>No-load proof</b>	Yes
<b>Number of channels</b>	1
<b>Programming interface</b>	Dipswitch
<b>Short-circuit protection</b>	Automatic reversible

1) Output wires must be routed as close as possible to each other

## Programming

<b>Programming device</b>	not relevant
<b>Tuner4TRONIC</b>	No

## Certificates & standards

<b>Type of protection</b>	IP20
<b>Approval marks – approval</b>	CE / ENEC / CCC / RCM / BIS / TISI / EAC / UKCA <sup>1)</sup>
<b>Standards</b>	Acc. to IEC 61347-1 / Acc. to IEC 61347-2-13 / Acc. to IEC 62384 / Acc. to IEC 61000-3-2 / Acc. to IEC 61547 / Acc. to IEC 6100-4-5

1) In preparation

## Logistical data

<b>Commodity code</b>	85044083900
-----------------------	-------------

## Environmental information

Information according Art. 33 of EU Regulation (EC) 1907/2006 (REACH)	
<b>Declaration No. in SCIP database</b>	In work
<b>Date of Declaration</b>	17-06-2024
<b>Primary Article Identifier</b>	4062172212663
<b>SCIP_STATUS</b>	In work
<b>SCIP_ID</b>	

## Ecodesign regulation information:

Intended for use with LED modules.

The forward voltage of the LED light source shall be within the defined operating window of the control gear in all operating conditions including dimming if applicable.

Separate control gear and light sources must be disposed of at certified disposal companies in accordance with Directive 2012/19/EU (WEEE) in the EU and with Waste Electrical and Electronic Equipment (WEEE) Regulations 2013 in the UK. For this purpose, collection points for recycling centres and take-back systems (CRSO) are available from retailers or private disposal companies, which accept separate control gear and light sources free of charge. In this way, raw materials are conserved and materials are recycled.



## Download Data

File		
Certificates	PDF	▶IT FIT CS L & CS D L ENEC 35 120271 01 201123
Certificates	PDF	▶IT FIT 18 CS L CCC 2020171002003122 201123
Mandatory Publications	PDF	▶IT FIT CS L CE 4205372 06 080823
Mandatory Publications	PDF	▶IT FIT CS L UK DoC 4281081 02 240823

## Logistical Data

Product code	Product description	Packaging unit (Pieces/Unit)	Dimensions (length x width x height)	Volume	Gross weight
4062172212663	IT FIT 18/220-240/350 CS L	Shipping carton box 20 Pieces	237 x 162 x 130 mm	4.99 dm <sup>3</sup>	173.45 g

The mentioned product code describes the smallest quantity unit which can be ordered. One shipping unit can contain one or more single products. When placing an order, for the quantity please enter single or multiples of a shipping unit

## References / Links

\* For more information on the multi-level guarantee and the terms and conditions of the guarantee visit <https://www.inventronics-light.com/multilevel-guarantees>

## Disclaimer

Subject to change without notice. Errors and omission excepted. Always make sure to use the most recent release.